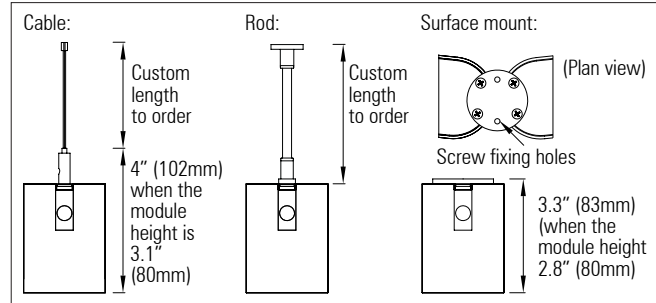
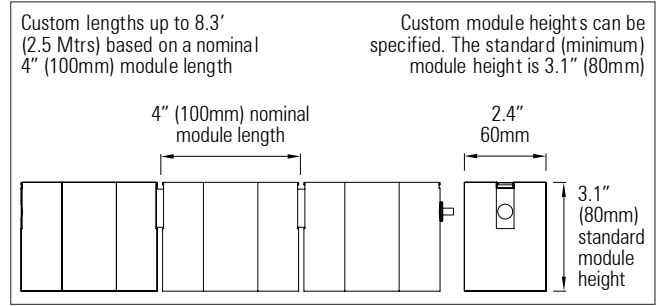


Centura 60 IP20 Class 2

Flexible, modular, RGBW LED pendant lighting system
Down light - 1 x RGB, RGBW, RGBA, or Tunable-White array with Gaggione lens per module



Centura 60 IP20 system - Flexible - Down light - 1 x RGB, RGBW, RGBA, or Tunable-White array with Gaggione lens per module

Modular flexible RGBW LED pendant lighting system IP20 - Down light

Product description:

Centura has an articulated linkage-joint system between modules allowing for flexibility along the major axis. This innovative modular design offers the flexibility to follow curved surfaces, encircle columns and domes, and to make irregular shaped pendants, all whilst offering excellent lighting control and uniformity. This versatility offers the ability for use in a wide range of application areas including architectural, hospitality, leisure and retail.

Down light - 1 x array of 4 x Luxeon Z or CZ LEDs, with a highly efficient colour-blending Gaggione lens per module - custom combinations of white and colour LEDs. Single white-light COB options are also available

Up to 5 Watts per 4" (100mm) module. Up to 48 V DC supply

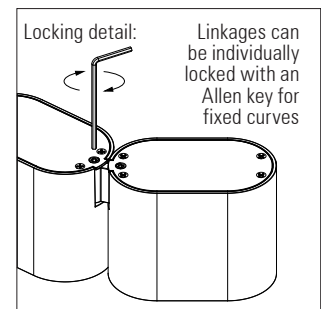
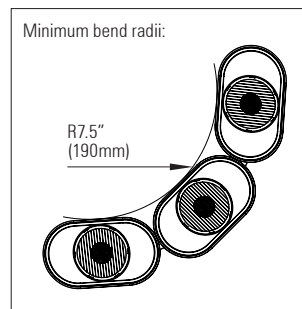
Integral LV constant current driver or remote Edoled 4 Channel DMX driver

Remote DMX / DALI controller can be located up to 164' (50 mtrs) from the LED system

Satin black, satin white or any RAL paint colour finish

Rod, cable or surface mount options. Custom solutions are also available.

Custom lengths based on a 4" (100mm) module length up to 8.3' (2.5 mtrs)



Down light LED / lens matrix	LUXEON Z CLUSTER x4 RGBW LEDs
LLC59C Colour	11.7°
LLC59E Elliptical	8.2° + 31.3°
LLC59U Ultra Narrow	NA
LLC59N Narrow	7.6 °
LLC59M Medium	24.1°
LLC59W Wide	32.2°

Custom combinations of different colour temp. white-light LEDs & different colour-light LEDs can be specified

RGBW: Up to 606 Lumens per ft (Up to 2,000 Lumens per Mtr)
White: Up to 1,360 Lumens per ft (Up to 4,500 Lumens per Mtr)

Product Code	No. of LEDs per module	IP	Length (mm)	LED Type	LED Colour / Colour Temp.(K)	CRI	Feed	Mounting Type	Finish
RAD CENTURA 60 FLEXIBLE DOWN IP20	1 x array of 4 x RGBW LEDs per 4" (100mm) module : 4" (100mm) pitch	20	4" (100mm) -increments of 4" (100mm) up to-	LUMILED Luxeon cluster: 4x RGBW Z or CZ LEDs	Specify all 4x LEDs in cluster:	80 90	End Back Side	Steel Cable Fixed rod Surface mount	Black White Any RAL-colour
	1 x white-light COB : 4" (100mm) pitch				Far Red, Red, Deep Red, Red-Orange, Amber, PC Amber, Mint, Lime, Green, Cyan, Blue, Royal Blue, Violet 22=2,200k 27=2,700k 30=3,000k 35=3,500k 40=4,000k 50=5,000k 57=5,700k 65=6,500k				